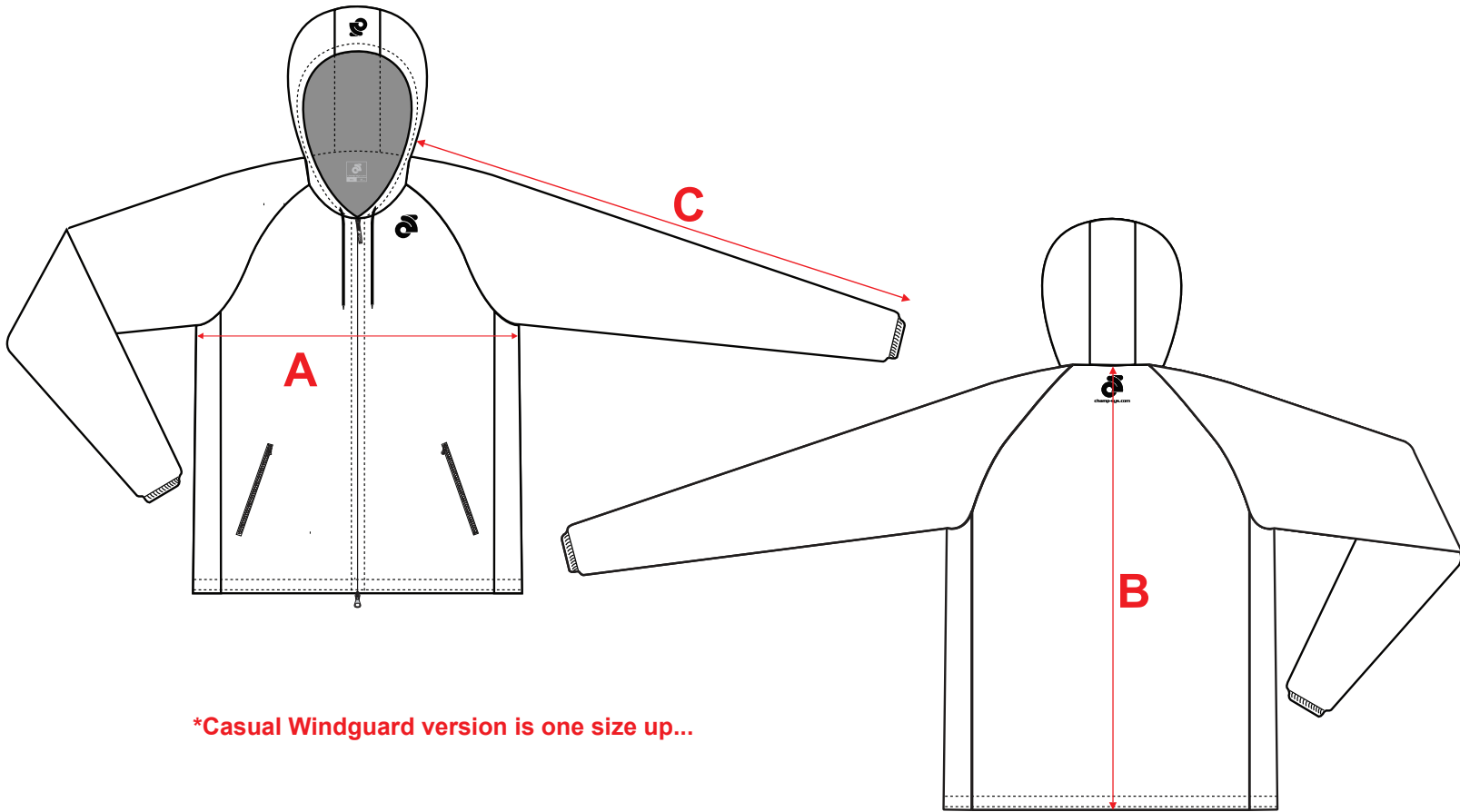


**\*Casual Windguard version is one size up...**

If you're unsure which size to buy, try measuring a Casual Tech Jacket Hoodie that you already own that fits you well, and compare those measurements to the size chart. Lay the Casual Tech Jacket Hoodie on a flat surface and use the above guide to measure the Casual Tech Jacket Hoodie.

**Note: All measurements are approximate +/- 1/2".**

Size	A (Chest)	B (Length)	C (Sleeve)
<b>XS</b>	<b>19"</b>	<b>26"</b>	<b>31"</b>
<b>S</b> <small>XS</small>	<b>20"</b>	<b>27"</b>	<b>32"</b>
<b>M</b> <small>S</small>	<b>21"</b>	<b>28"</b>	<b>33"</b>
<b>L</b> <small>M</small>	<b>22"</b>	<b>29"</b>	<b>34"</b>
<b>XL</b> <small>L</small>	<b>23"</b>	<b>30"</b>	<b>35"</b>
<b>2XL</b> <small>XL</small>	<b>24"</b>	<b>31"</b>	<b>36"</b>
<b>3XL</b> <small>2XL</small>	<b>25"</b>	<b>32"</b>	<b>37"</b>
<b>4XL</b> <small>3XL</small>	<b>26"</b>	<b>33"</b>	<b>38"</b>

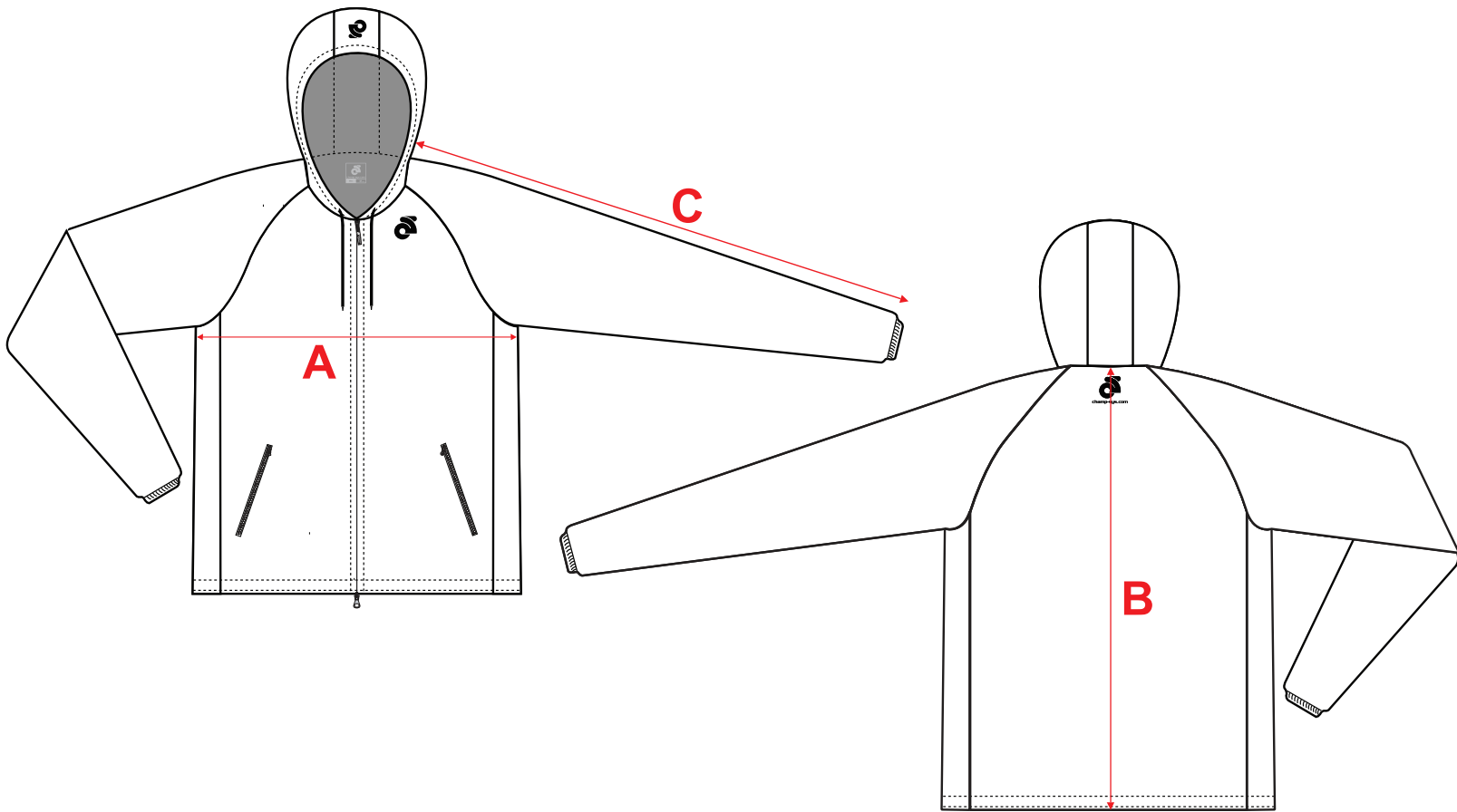


**\*Casual Windguard version is one size up...**

If you're unsure which size to buy, try measuring a Casual Tech Jacket Hoodie that you already own that fits you well, and compare those measurements to the size chart. Lay the Casual Tech Jacket Hoodie on a flat surface and use the above guide to measure the Casual Tech Jacket Hoodie.

**Note: All measurements are approximate +/- 1/2".**

Size	A (Chest)	B (Length)	C (Sleeve)
<b>XS</b>	<b>18"</b>	<b>25"</b>	<b>30"</b>
<b>S</b> <small>XS</small>	<b>19"</b>	<b>26"</b>	<b>31"</b>
<b>M</b> <small>S</small>	<b>20"</b>	<b>27"</b>	<b>32"</b>
<b>L</b> <small>M</small>	<b>21"</b>	<b>28"</b>	<b>33"</b>
<b>XL</b> <small>L</small>	<b>22"</b>	<b>29"</b>	<b>34"</b>
<b>2XL</b> <small>XL</small>	<b>23"</b>	<b>30"</b>	<b>35"</b>
<b>3XL</b> <small>2XL</small>	<b>24"</b>	<b>31"</b>	<b>36"</b>
<b>4XL</b> <small>3XL</small>	<b>25"</b>	<b>32"</b>	<b>37"</b>



If you're unsure which size to buy, try measuring a Casual Jacket Hoodie that you already own that fits you well, and compare those measurements to the size chart. Lay the Casual Jacket Hoodie on a flat surface and use the above guide to measure the Casual Jacket Hoodie.

**Note: All measurements are approximate +/- 1/2".**

Size	A (Chest)	B (Length)	C (Sleeve)
JR-XS	14 1/2"	19"	23"
JR-S	15 1/2"	20 1/2"	23 1/2"
JR-M	16 1/2"	21 3/4"	24"
JR-L	17 1/2"	23 1/4"	24 1/2"
JR-XL	18 1/2"	24 1/2"	25"